

## DS112P - DS112PT



fig.1



fig.2

### LNE SYSTEM SERIES 2.WAY FULL.RANGE HIGH DIRECTIVITY PASSIVE SPEAKER

Engineered and designed by a system capable of providing sound reinforcement in a limited area minimising the emission of noise / disturbance to the surrounding areas. Small in size, the system can be integrated to any structure type ceiling, walls and roofs, both indoors and outdoors.

The speaker is equipped with custom transducers, studied specifically for this project to create a sound that has both high fidelity and high directivity. The DS112P / T is a two-way speaker system with highly controlled directivity.

Its configuration allows it to control directivity as low as medium-low frequencies (around 500Hz), even though the physical dimensions are very small. This marked tendency to control the energy emitted within its cone of radiation especially in the vocal range makes it ideal tool to locate vocal messages in specific areas. The system DS112P / T is designed to operate in the vertical direction, from top to bottom, so that its coverage area is identified in the space below it, within a cone of about 80 degrees.

Outside of this area of coverage, the sound level is reduced as much as 15-20 dB.

The housing of the DS110SP is made of steel, which has been treated and painted to provide the unit with high resistance against atmospheric agents over time.. Degree of protection IP 55 Δ.

## TECH INFO

<b>System type</b>	Two-way high directivity System MTM circular configuration
<b>Input power rating (continuous)</b>	300 W (8Ω)
<b>Input power rating (peak)</b>	600 W (8Ω)
<b>Nominal Impedance</b>	8Ω (DS112P)
<b>Constant Voltage Binding</b>	100V (only transformer version DS112PT)
<b>Power Taps to 100V</b>	25/50/100W (only transformer version DS112PT)
<b>Frequency response</b>	110Hz - 16kHz (-3dB), 80Hz - 18kHz (-10dB)
<b>Maximum (peak) Output</b>	124dB @ 1m
<b>Low Frequency Device</b>	12 x 3.5" wide-band speakers with coil 25mm
<b>High Frequency Device</b>	1 x 1" compression driver with coil 38mm
<b>Angular coverage</b>	<78°
<b>Crossover Frequency</b>	2400 Hz
<b>Mounting Pole</b>	custom arm or flange (wall / ceiling)
<b>Connectors</b>	2 pole cable
<b>Material</b>	Steel Box (z/c treatment)
<b>Finish</b>	P/E Scratch-proof coating
<b>Color</b>	Custom (RAL code)
<b>Weight</b>	9 kg
<b>Dimensions</b>	Ø510 x H208 mm
<b>Protection</b>	55 Δ
<b>Operational temperature</b>	-20 / +40 °C

## DS112PT

The DS112PT is particularly suitable in applications where it is essential the directive location of sound or voice (fig. 3) and a strong reduction in the SPL level of off-axis (Fig. 4).

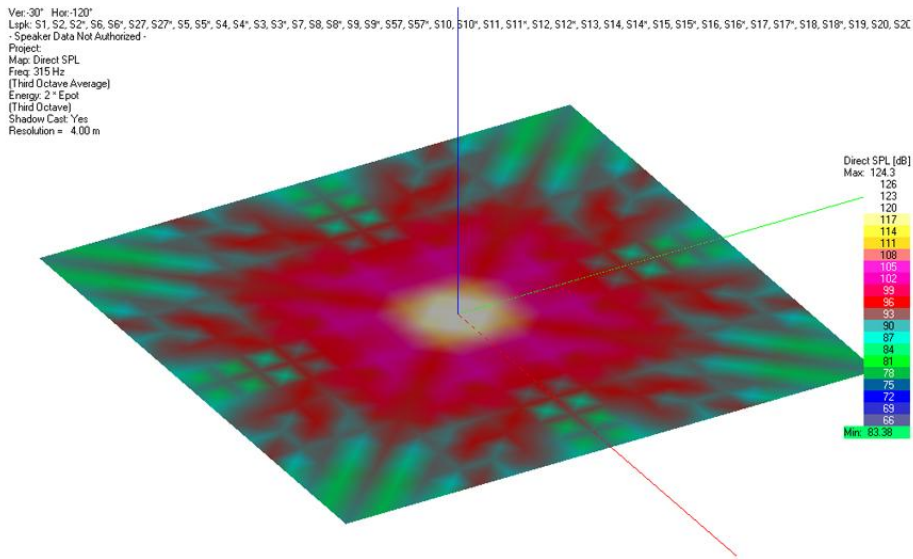


fig.3

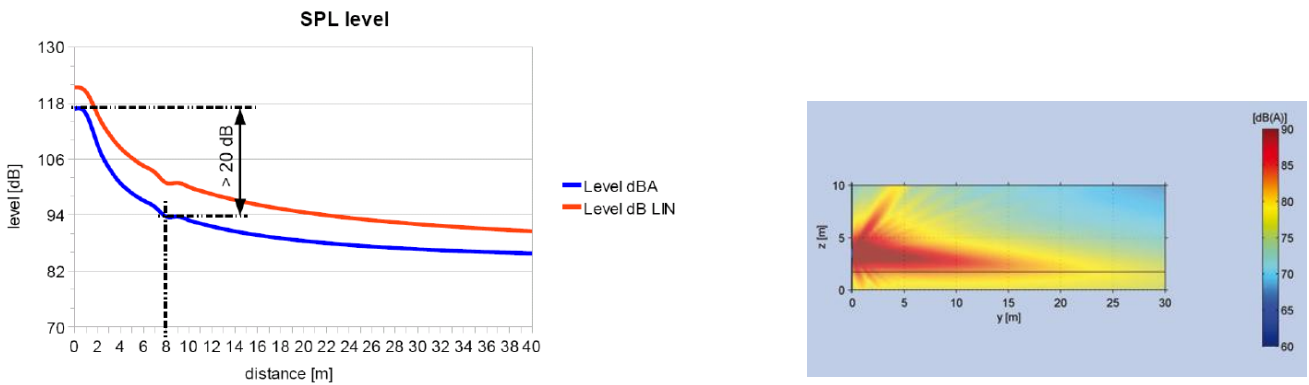
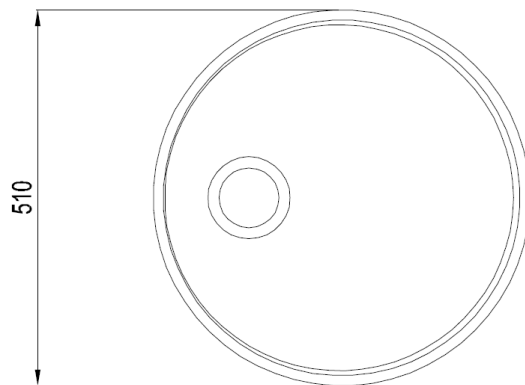
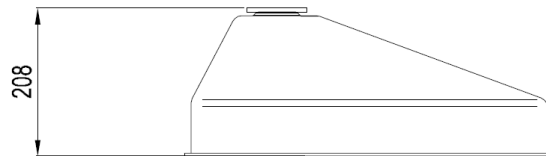
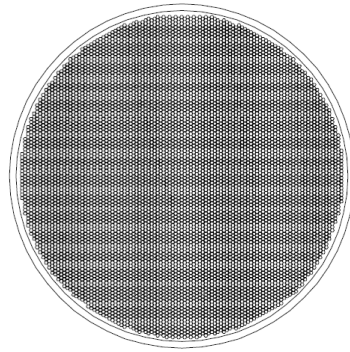


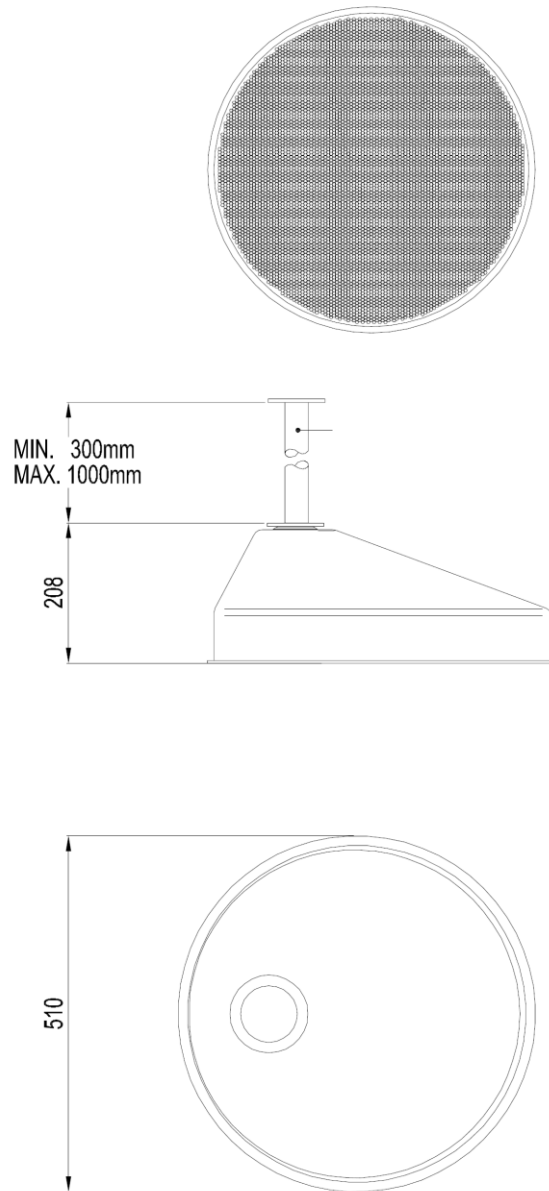
fig.4

## Dimensions



## Examples and installation accessories

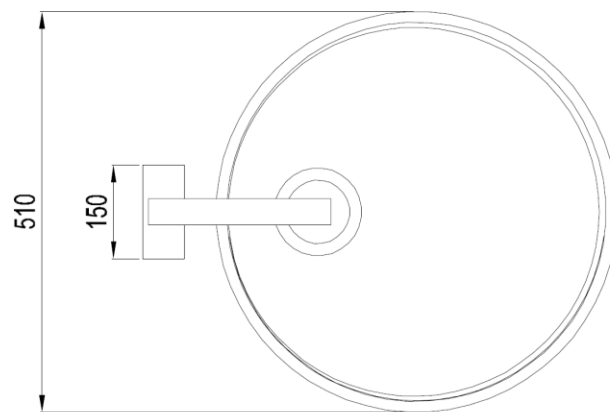
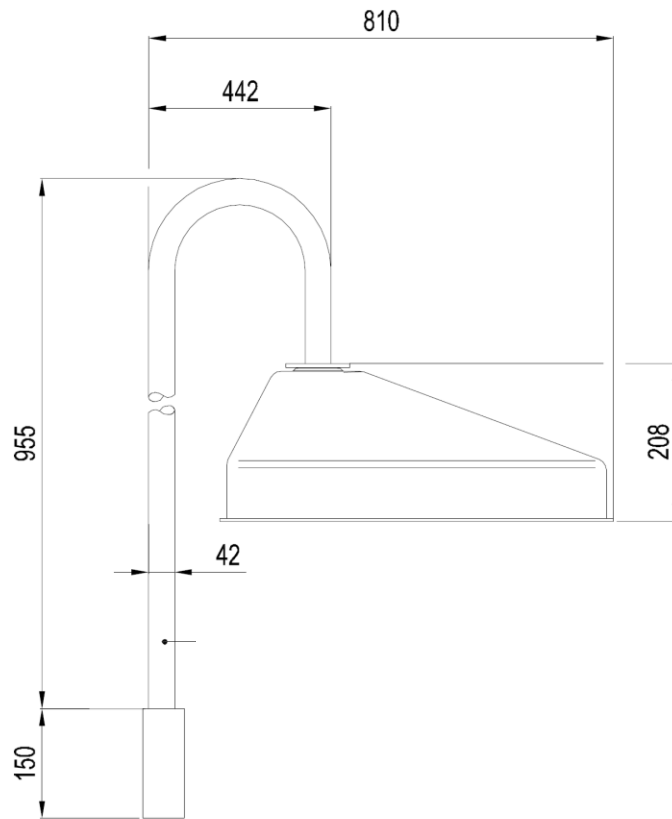
### CEILING MOUNT:



**PS30: bracket length 300 mm**

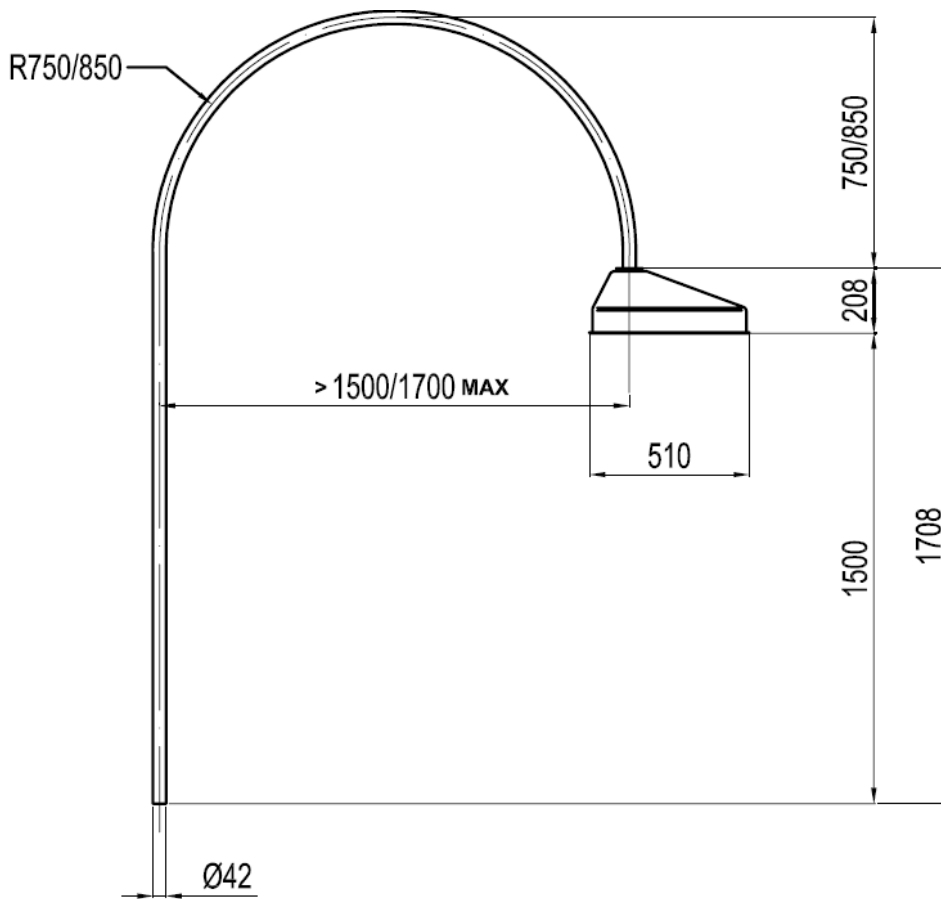
**PS50: bracket length 500 mm**

**WALL MOUNT:**

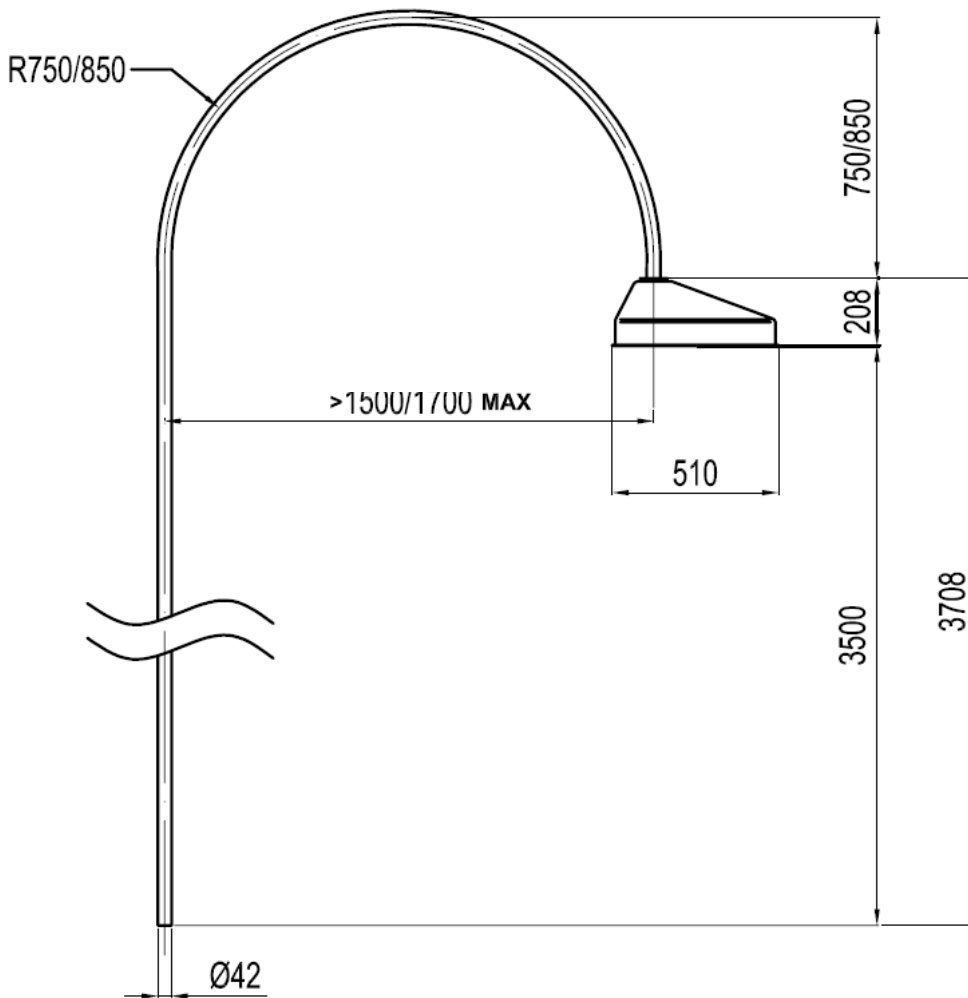


**PSWM: wall mount bracket**

**POLE MOUNT:**



**DSBCP42A: curved arm  $\varnothing 42$ mm - L 1700mm – H 2558mm**  
**DSBCP4215A: curved arm  $\varnothing 42$ mm - L 1500mm – H 2558mm**



**DSBCP42B: curved arm  $\varnothing 42$ mm - L 1700mm – H 4558mm**  
**DSBCP4215B: curved arm  $\varnothing 42$ mm - L 1500mm – H 4558mm**