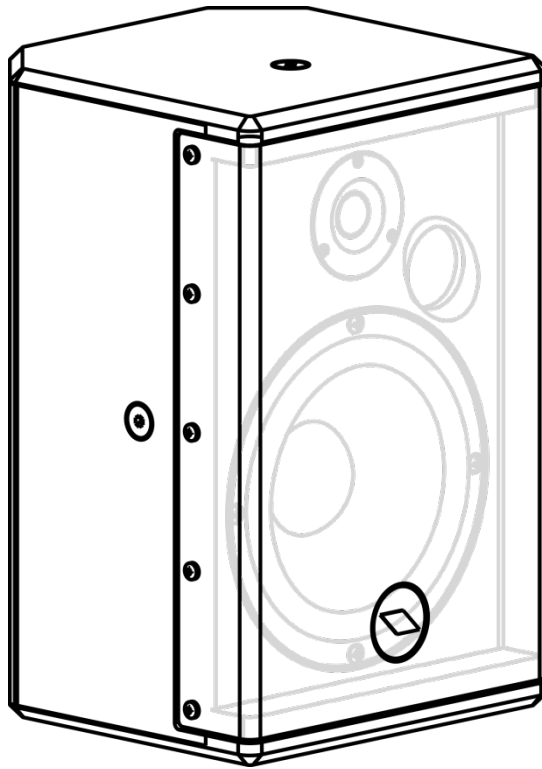




LTX6P

USER'S MANUAL



ENGLISH
ITALIANO

96MAN0179-REV.31/24



This page is intentionally left blank.



INDEX

IMPORTANT SAFETY INSTRUCTIONS	4
DECLARATION OF CONFORMITY	5
LIMITED WARRANTY	5
CONDITIONS OF USE	5
INTRODUCTION.....	5
DESCRIPTION	5
OPERATIONS.....	6
CHOOSE THE AMPLIFIER POWER	6
KPTLTP BRACKET ASSEMBLY INSTRUCTIONS	7
CONNECTION EXAMPLE.....	10
RECOMMENDED CABLES	11
TECHNICAL SPECIFICATIONS	11
MECHANICAL DRAWING.....	22



IMPORTANT SAFETY INSTRUCTIONS

Watch for these symbols:



- The lightning flash with arrowhead symbol within an equilateral triangle is intended to alert the user to the presence of uninsulated “dangerous voltage” within the product’s enclosure, that may be of sufficient magnitude to constitute a risk of electric shock to persons.
- The exclamation point within an equilateral triangle is intended to alert the user to the presence of important operating and maintenance (servicing) instructions in the literature accompanying the appliance.

1. Read these instructions.
2. Keep these instructions.
3. Heed all warnings.
4. Follow all instructions.
5. Do not use this apparatus near water.
6. Clean only with dry cloth.
7. Do not block any ventilation openings. Install in accordance with the manufacturer’s instructions.
8. Do not install near any heat sources such as radiators, heat registers, stoves, or other apparatus (including amplifiers) that produce heat.
9. Do not defeat the safety purpose of the polarized or grounding-type plug. A polarized plug has two blades with one wider than the other. A grounding-type plug has two blades and a third grounding prong. The wide blade or the third prong are provided for your safety. If the provided plug does not fit into your outlet, consult an electrician for replacement of the obsolete outlet.
10. Protect the power cord from being walked on or pinched, particularly at plugs, convenience receptacles, and the point where they exit from the apparatus.
11. Only use attachments/accessories specified by the manufacturer.
12. Use only with the cart, stand, tripod, bracket, or table specified by the manufacturer, or sold with the apparatus. When a cart is used, use caution when moving the cart/apparatus combination to avoid injury from tip-over.
13. Unplug this apparatus during lightning storms or when unused for long periods of time.
14. Refer all servicing to qualified service personnel. Servicing is required when the apparatus has been damaged in any way, such as power supply cord or plug is damaged, liquid has been spilled or objects have fallen into the apparatus, the apparatus has been exposed to rain or moisture, does not operate normally, or has been dropped.
15. Warning: to reduce the risk of fire or electric shock, do not expose this apparatus to rain or moisture.
16. Do not expose this equipment to dripping or splashing and ensure that no objects filled with liquids, such as vases, are placed on the equipment.
17. To completely disconnect this apparatus from the ac mains, disconnect the power supply cord plug from the ac receptacle.
18. The mains plug of the power supply cord shall remain readily operable.
19. This apparatus contains potentially lethal voltages. To prevent electric shock or hazard, do not remove the chassis, input module or ac input covers. No user serviceable parts inside. Refer servicing to qualified service personnel.
20. The loudspeakers covered by this manual are not intended for high moisture outdoor environments. Moisture can damage the speaker cone and surround and cause corrosion of electrical contacts and metal parts. Avoid exposing the speakers to direct moisture.
21. Keep loudspeakers out of extended or intense direct sunlight. The driver suspension will prematurely dry out and finished surfaces may be degraded by long-term exposure to intense ultra-violet (UV) light.
22. The loudspeakers can generate considerable energy. When placed on a slippery surface such as polished wood or linoleum, the speaker may move due to its acoustical energy output.
23. Precautions should be taken to assure that the speaker does not fall off a stage or table on which it is placed.
24. The loudspeakers are easily capable of generating sound pressure levels (SPL) sufficient to cause permanent hearing damage to performers, production crew and audience members. Caution should be taken to avoid prolonged exposure to SPL in excess of 90 dB.





This marking shown on the product or its literature, indicates that it should not be disposed with other household wastes at the end of its working life. To prevent possible harm to the environment or human health from uncontrolled waste disposal, please separate this from other types of wastes and recycle it responsibly to promote the sustainable reuse of material resources. Household users should contact either the retailer where they purchased this product, or their local government office, for details of where and how they can take this item for environmentally safe recycling. Business users should contact their supplier and check the terms and conditions of the purchase contract. This product should not be mixed with other commercial wastes for disposal.

DECLARATION OF CONFORMITY

The product is in compliance with the following European Directives:
EMC 2014/30/EU, LVD 2014/35/EU, RoHS 2011/65/EU and WEEE 2012/19/EU.

LIMITED WARRANTY

Proel warrants all materials, workmanship and proper operation of this product for a period of two years from the original date of purchase. If any defects are found in the materials or workmanship or if the product fails to function properly during the applicable warranty period, the owner should inform about these defects the dealer or the distributor, providing receipt or invoice of date of purchase and defect detailed description. This warranty does not extend to damage resulting from improper installation, misuse, neglect or abuse. Proel S.p.A. will verify damage on returned units, and when the unit has been properly used and warranty is still valid, then the unit will be replaced or repaired. Proel S.p.A. is not responsible for any "direct damage" or "indirect damage" caused by product defectiveness.

- This unit package has been submitted to ISTA 1A integrity tests. We suggest you control the unit conditions immediately after unpacking it.
- If any damage is found, immediately advise the dealer. Keep all unit packaging parts to allow inspection.
- Proel is not responsible for any damage that occurs during shipment.
- Products are sold "delivered ex warehouse" and shipment is at charge and risk of the buyer.
- Possible damages to unit should be immediately notified to forwarder. Each complaint for package tampered with should be done within eight days from product receipt.

CONDITIONS OF USE

Proel do not accept any liability for damage caused to third parties due to improper installation, use of non-original spare parts, lack of maintenance, tampering or improper use of this product, including disregard of acceptable and applicable safety standards. Proel strongly recommends that this loudspeaker cabinet be suspended taking into consideration all current National, Federal, State and Local regulations. The product must be installed by qualified personal. Please contact the manufacturer for further information.

INTRODUCTION

Thank you for choosing a PROEL product. Please take some time to read this manual to understand all the features of your system and take advantage of all its performance capabilities. All PROEL products are CE approved and designed for continuous use in professional applications.

DESCRIPTION

The **LTX6P** by PROEL is a passive speaker system with plywood cabinet offering the renowned PROEL sound and a high-level performance in a reliable and affordable package. For the construction of the cabinet we have used **plywood**, a very lightweight and durable material that makes moving and installing this speaker very quick and easy. Strong, anti-scratch paint and steel grilles with an internal foam layer provide proper protection for years of service. The **supplied KPTLTP bracket** allows to install the speaker on walls and ceiling with variable tilt and swivel speaker orientation, offering the possibility to obtain a more uniform coverage of the audience.



OPERATIONS

1. INPUT (SPEAKON)

External amplifier power input: this is the connector where you plug in the power cable coming from your power amplifier or powered mixer. The powered signal is filtered by an internal passive crossover that splits the power signal into a low frequency section, sent to the woofer, and a high frequency section, sent to the HF compression driver. The frequency transition is around 3.8KHz. The INPUT has this pin connection:

PIN1+ : positive power signal (usually red wire)

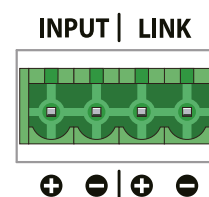
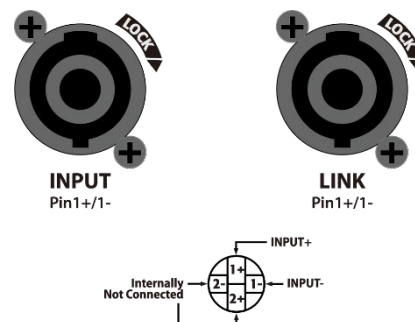
PIN1- : negative power signal (usually black wire)

2. LINK (SPEAKON)

Output of the power signal to be sent to another satellite loudspeaker. INPUT and LINK connectors are connected in parallel.

3. INPUT | LINK (EUROBLOCK)

This is a **EUROBLOCK 5mm pitch** male connector that accepts a EUROBLOCK 5mm pitch female 2 or 4 pin connectors, it replicates the INPUT and LINK connection specified above, particularly useful for unobtrusive installation wiring.



CHOOSE THE AMPLIFIER POWER

We give you two power numbers: continuous and peak.

These data suggest you can use any amplifier with a power capability in the range between continuous and peak, but this rule is valid only if the amplifier never clip any time.

Preventing loudspeaker damage caused by clipping, that is likely the number one cause of damage, and assuming you want to use the full capability of the loudspeaker, we recommend the use of an amplifier with a built-in limiter to prevent clipping, in this case the rated power capability must be in the range between continuous and peak power rating of the loudspeaker into the same nominal impedance (typically 4 or 8 ohms):

- To obtain the best result using 2 (as single 8 ohm speaker for each channel) to 4 (as parallel 4 ohm speaker for each channel) LTX6P connected in stereo, we suggest the use of a 80-160W amplifier.

IMPORTANT: *Clipping occurs when the signal at the output of any device in the system (not just the amplifier) reaches its maximum level. Proper operation of a sound system includes being aware of the types of audio signals being reproduced, controlling the output levels accordingly, and operating all the devices in the system so that no clipping occurs within the signal chain.*

KPTLTP BRACKET ASSEMBLY INSTRUCTIONS

FIG.1

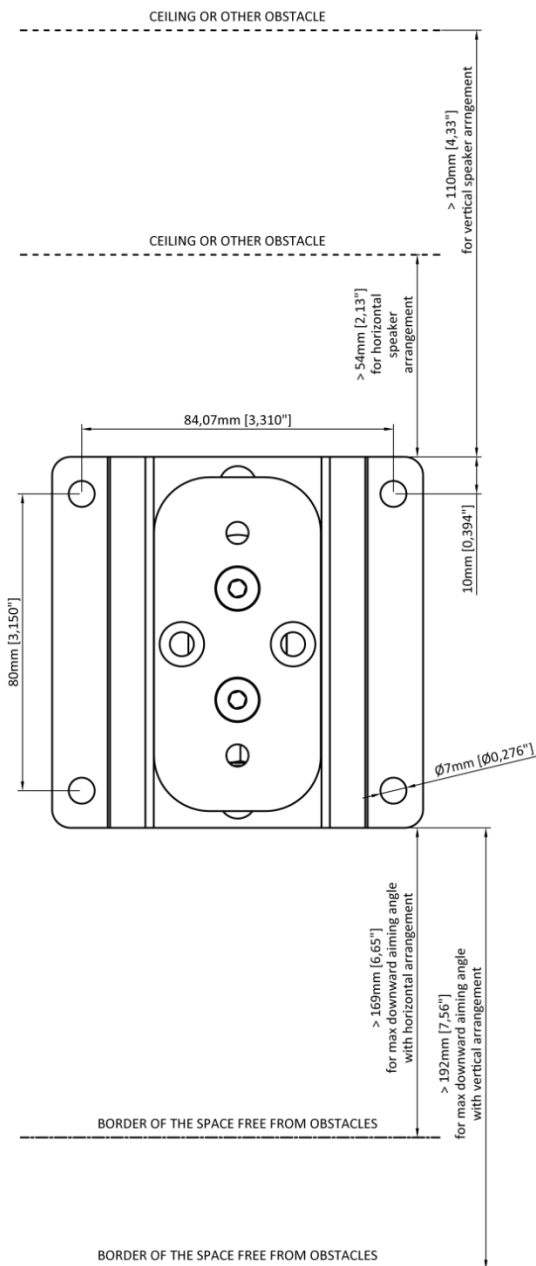


FIG.2

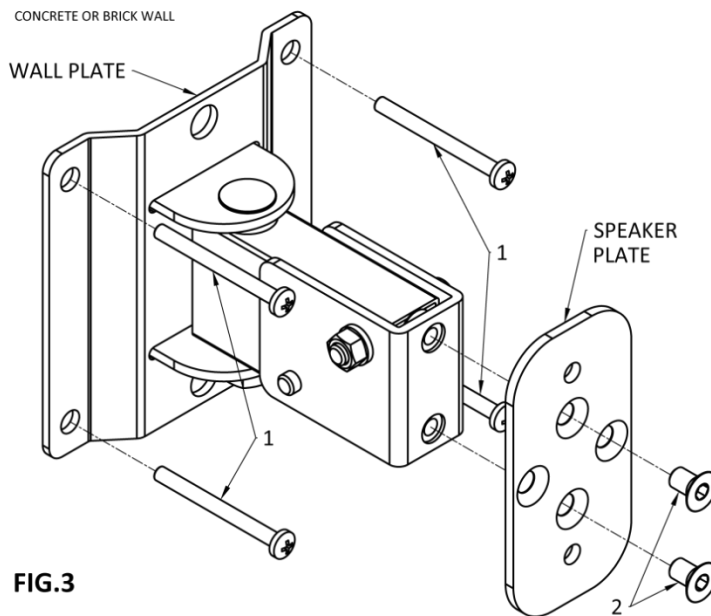
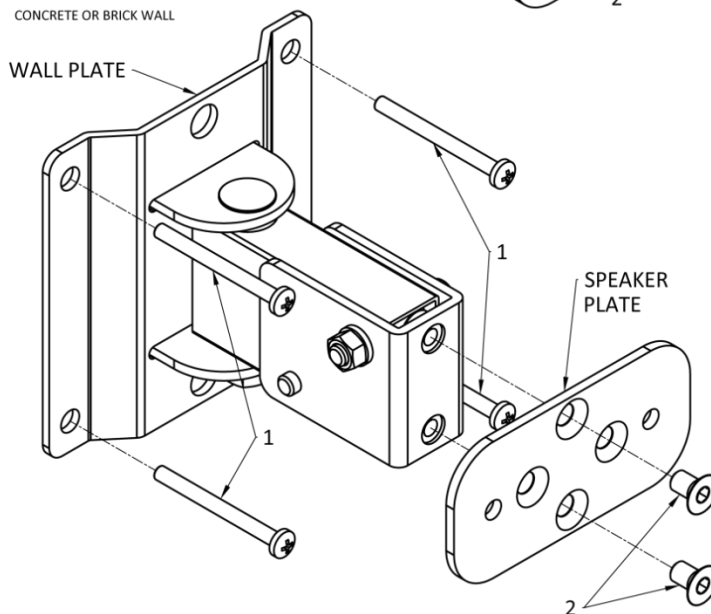


FIG.3



- Mount the KPTLTP on the wall considering the required free space around it for proper aiming of the speaker as shown in FIG.1.
- Fix the wall plate on the wall using a proper fixing plug and screw (not supplied) capable to carry ten times the weight of the speaker and its support. Use always the best fixing plug available for concrete or brick wall: do not try to mount this support on inappropriate walls like drywall or wooden wall. The responsibility for correct mounting lies with the installer.
- The speaker plate must be placed in the correct position for the speaker placement. If the speaker is mounted vertically the plate must be positioned as in FIG.2, if the speaker is mounted horizontally the plate must be positioned as in FIG.3.
- Detach the speaker plate from the wall plate removing screws and nut as shown in FIG.4.

- Mount the speaker plate to the loudspeaker back panel.

FIG.4

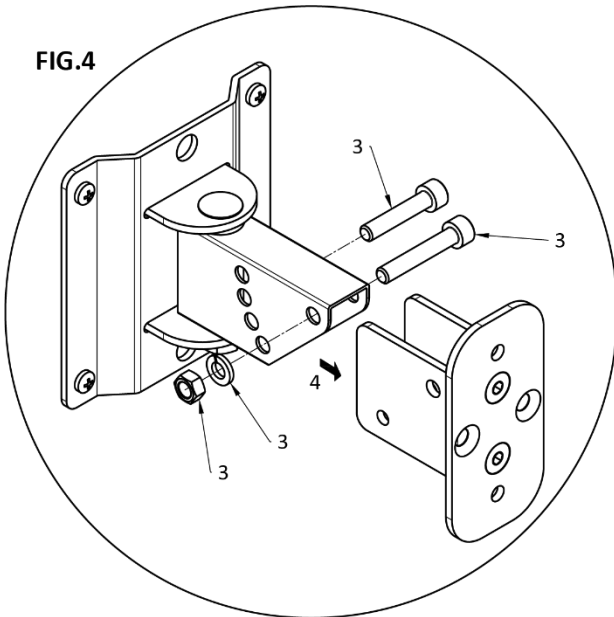
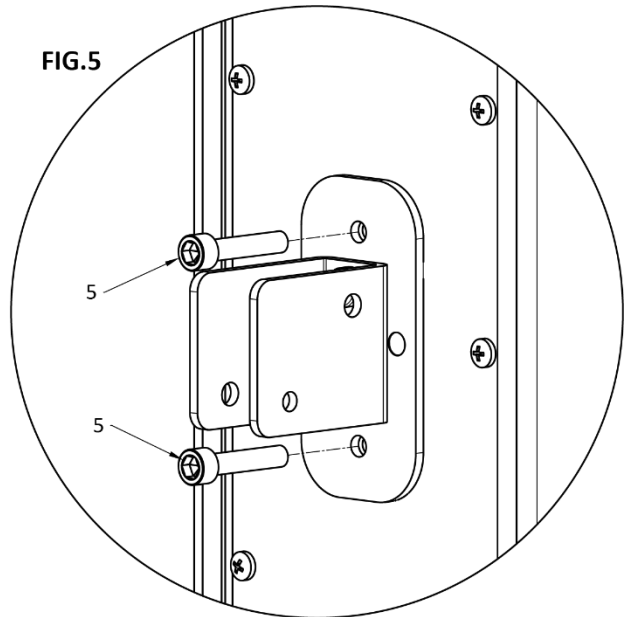


FIG.5



- Reassemble speaker plate and wall plate as shown in FIG.6.
- Connect the safety rope to the speaker using the screw on the side of the cabinet as show in FIG.7.

FIG.6

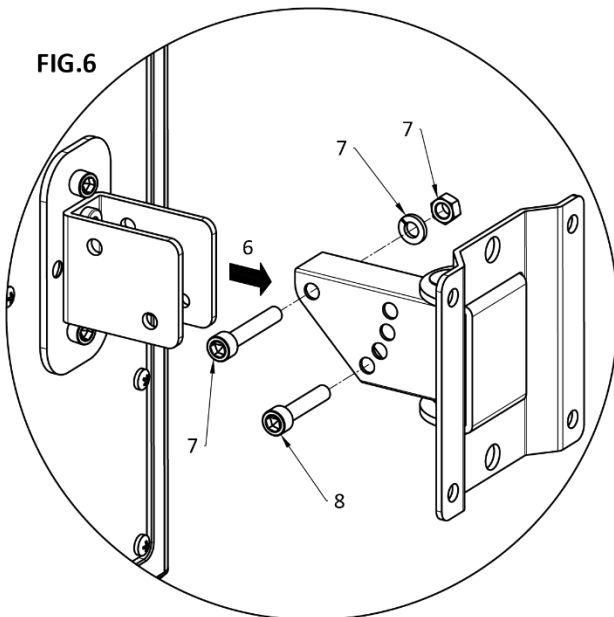
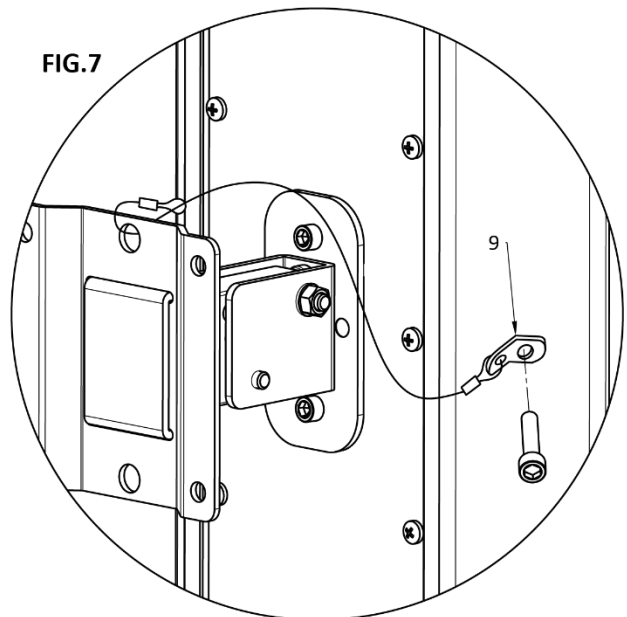


FIG.7



- FIG.8 and FIG.9 show the possible vertical tilting combinations: FIG.8 is for the speaker mounted vertically or FIG.9 for speaker mounted horizontally.
- FIG.10 and FIG.11 show the possible horizontal swivel combinations: FIG.10 is for the speaker mounted vertically or FIG.11 for speaker mounted horizontally.

FIG.8
TILT ANGLES WITH VERTICAL INSTALLING:

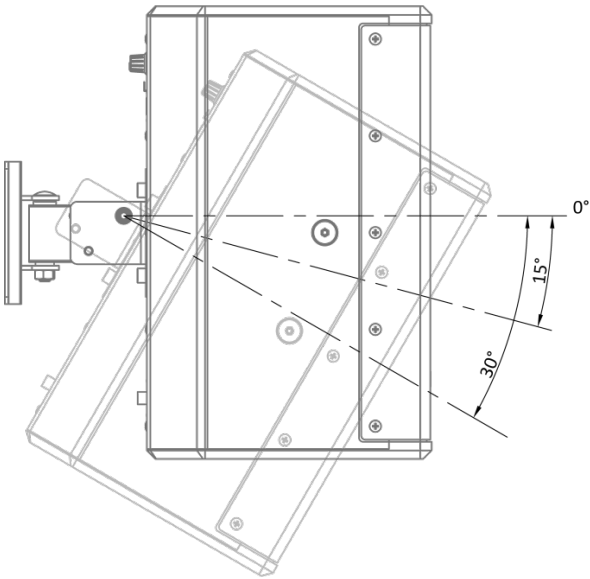


FIG.9
TILT ANGLES WITH HORIZONTAL INSTALLING:

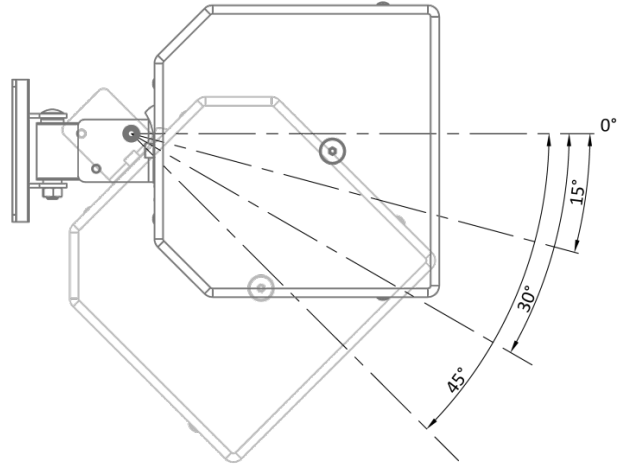


FIG.10
MAXIMUM DIRECTION ANGLE FOR 0° TILT:

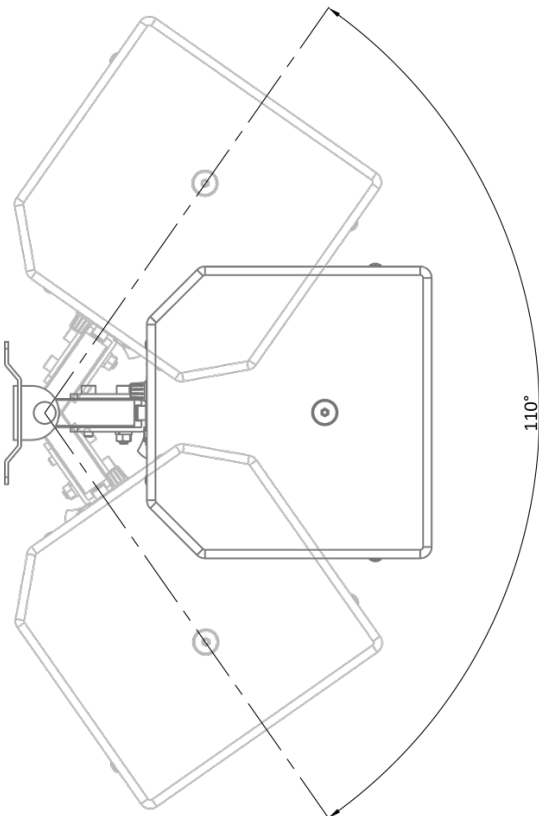
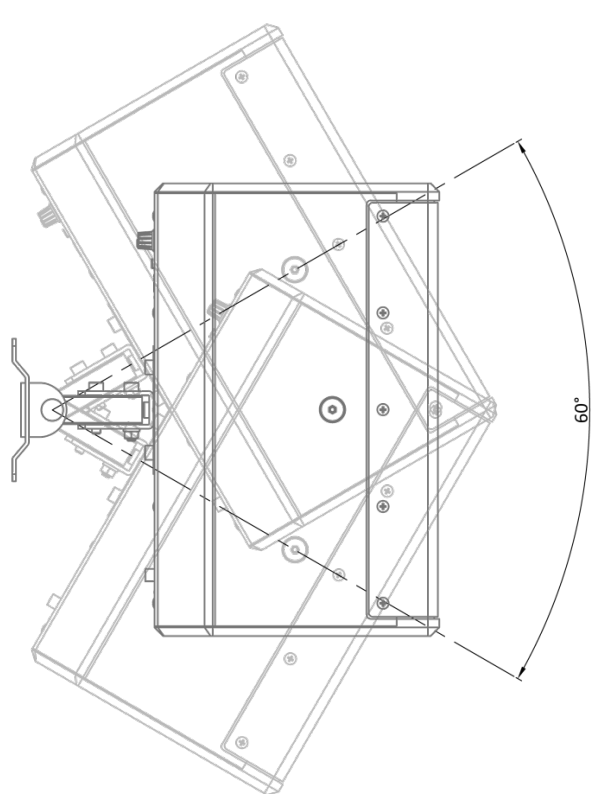
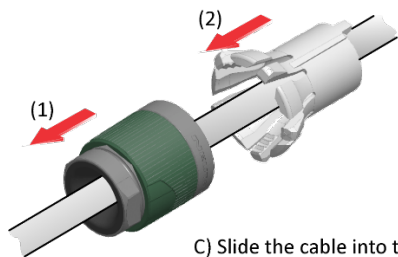


FIG.11
MAXIMUM DIRECTION ANGLE FOR 0° TILT:

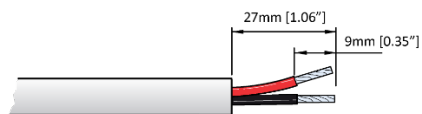


CONNECTION EXAMPLE

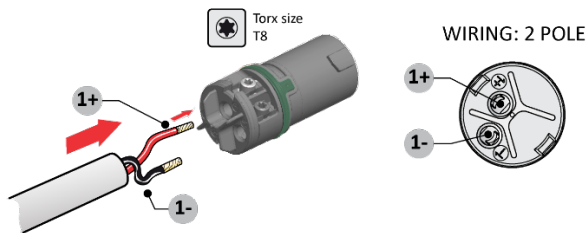
A) Place the bushing (1) and the chuck (2) over the cable



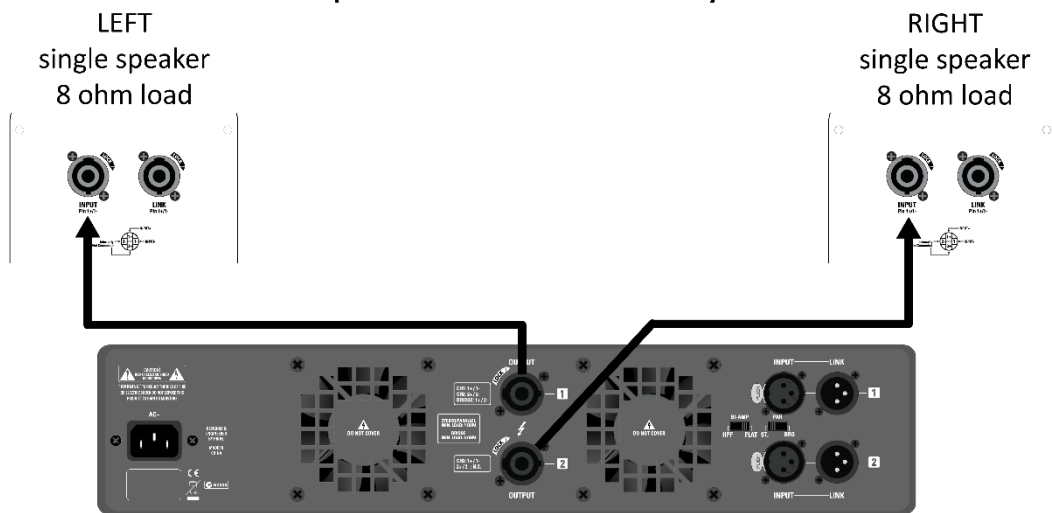
B) Prepare the cable as shown



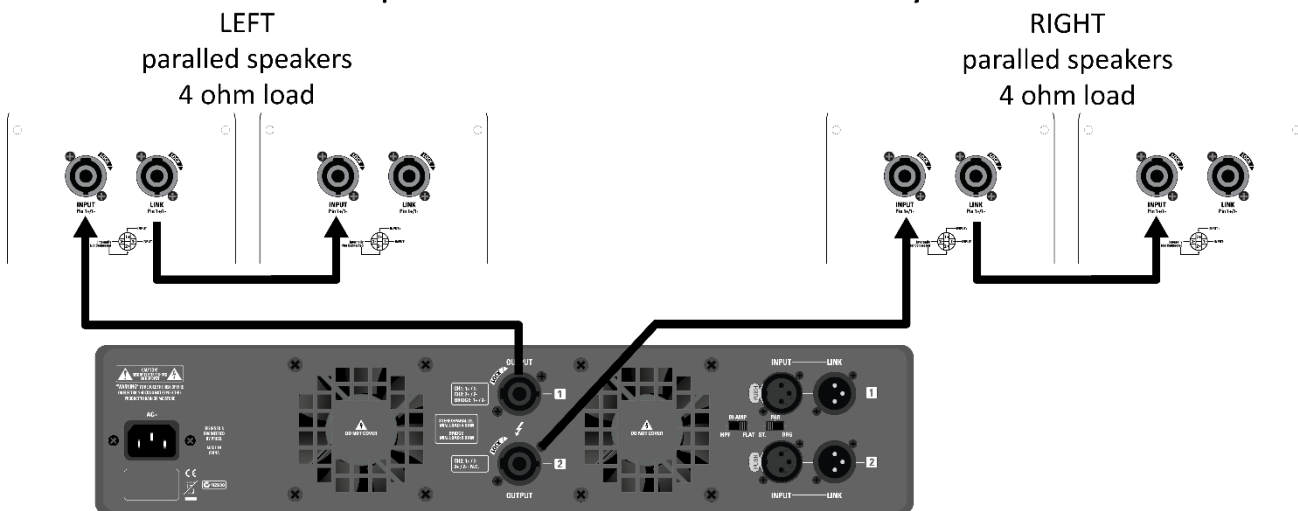
C) Slide the cable into the contacts and clamp



LTX passive BASIC STEREO sound system



LTX passive DOUBLE PARALLEL STEREO sound system





RECOMMENDED CABLES

LOUDSPEAKER LINE LOSSES (maximum permissible line lengths for 0.5dB losses, voltage or spl)							
8 ohm load		4 ohm load		Wire section data		PROEL recommended cables	
meter	feet	meter	feet	mm ²	AWG	2 wires flex-black	2 wires FR installation
50	164	25	82	4.0	12	HPC624BK	HPC624FRS
30	100	15	50	2.5	14	HPC620BK	HPC620FRS
20	66	10	33	1.5	16	HPC610BK	HPC610FRS

this is a short extraction of the wide assortment of cables available from PROEL, please visit our website at www.proel.com

TECHNICAL SPECIFICATIONS

	LTX6P
<i>System type</i>	2-way vented enclosure
<i>High Frequency Device</i>	1" neodymium tweeter
<i>Low Frequency Device</i>	6.5" woofer with 1" VC
<i>Angular Coverage</i>	90° H x 90° V
<i>Power Rating Continuous</i>	80 W
<i>Power Rating Peak</i>	160 W
<i>Impedance</i>	8 ohm
<i>Frequency Response</i>	75 Hz - 20 kHz
<i>SPL (1w / 1m)</i>	88 dB
<i>Connectors</i>	2 x SPEAKON, 1 x 4pin EUROBLOCK 5mm
<i>Flying System</i>	4 x M8 - top/side 2 x M6 rear
<i>Construction</i>	MDF wood
<i>Cabinet Colour</i>	Black/White
<i>Handles</i>	-
<i>Mounting Pole</i>	-
<i>Mounting Bracket</i>	KPTLTP Tilt and Swivel bracket
<i>Dimensions (W x H x D)</i>	205 x 318 x 200 mm
<i>Weight</i>	5.1 kg / 11.2 lbs



This page is intentionally left blank.



INDICE

ISTRUZIONI DI SICUREZZA IMPORTANTI.....	14
DICHIARAZIONE DI CONFORMITÀ.....	15
GARANZIA LIMITATA.....	15
CONDIZIONI D'USO	15
INTRODUZIONE.....	15
DESCRIZIONE	15
FUNZIONI.....	16
SCELTA DELL' AMPLIFICATORE DI POTENZA.....	16
ISTRUZIONI DI MONTAGGIO DELLA STAFFA KPTLTP	17
ESEMPIO CONNESSIONI	20
CAVI CONSIGLIATI	21
SPECIFICHE TECNICHE.....	21
DISEGNO MECCANICO.....	22

ISTRUZIONI DI SICUREZZA IMPORTANTI



Guarda questi simboli:

- Il lampo con la freccia all'interno di un triangolo equilatero ha lo scopo di avvisare l'utente della presenza di "tensione pericolosa" non isolata all'interno della custodia del prodotto, che può essere di ampiezza sufficiente a costituire un rischio di scossa elettrica per le persone.
 - Il punto esclamativo all'interno di un triangolo equilatero avverte l'utente della presenza di importanti istruzioni operative e di manutenzione (assistenza) nella documentazione che accompagna l'apparecchio.
1. Leggere queste istruzioni.
 2. Conservare queste istruzioni.
 3. Fare attenzione a tutti gli avvertimenti.
 4. Seguire tutte le istruzioni.
 5. Non usare questo dispositivo vicino all'acqua.
 6. Pulire solo con uno strofinaccio asciutto.
 7. Non bloccare alcuna fessura di ventilazione. Installare conformemente alle istruzioni del produttore.
 8. Non installare nelle vicinanze di fonti di calore come radiatori, caloriferi, stufe o altri apparecchi (amplificatori compresi) che generano calore.
 9. Non annullare l'obiettivo di sicurezza delle spine polarizzate o con messa a terra. Le spine polarizzate hanno due lame, con una più larga dell'altra. Una spina con messa a terra ha due lame e un terzo polo di terra. La lama larga o il terzo polo servono per la sicurezza dell'utilizzatore. Se la spina fornita non è adatta alla propria presa, consultate un elettricista per la sostituzione della spina.
 10. Disporre il cavo di alimentazione in modo tale da essere protetto dal calpestio e da spigoli taglienti e che non possa essere danneggiato, in particolare in prossimità delle spine, del cavo di prolunga e nel punto in cui il cavo di alimentazione esce dall'apparecchio.
 11. Usare solo dispositivi opzionali/accessori specificati dal produttore.
 12. Usare solo con carrello, supporto, cavalletto, sostegno o tavola specificate dal produttore o acquistati con l'apparecchio. Quando si usa un carrello, prestare attenzione, muovendo il carrello/la combinazione di apparecchi, a non ferirsi.
 13. Staccare la spina in caso di temporale o quando non si usa l'apparecchio per un lungo periodo.
 14. Per l'assistenza tecnica rivolgersi a personale qualificato. L'assistenza tecnica è necessaria nel caso in cui l'unità sia danneggiata, per es. per problemi del cavo di alimentazione o della spina, rovesciamento di liquidi od oggetti caduti nell'apparecchio, esposizione alla pioggia o all'umidità, anomalie di funzionamento o cadute dell'apparecchio.
 15. Avvertenza: per ridurre il rischio di incendi o scosse elettriche, non esporre questo apparecchio alla pioggia o all'umidità.
 16. Non esporre questa apparecchiatura a gocciolamenti o schizzi e assicurarsi che nessun oggetto riempito di liquidi, come i vasi, venga posta sull'apparecchiatura.
 17. Per scollegare completamente questo apparato dalla rete elettrica AC, scollegare la spina del cavo di alimentazione dalla presa elettrica AC.
 18. La spina di alimentazione del cavo di alimentazione deve rimanere facilmente accessibile.
 19. Questo apparecchio contiene tensioni potenzialmente letali. Per evitare scosse elettriche o rischi, non rimuovere lo chassis, il modulo di ingresso o le coperture degli ingressi AC. All'interno non ci sono parti riparabili dall'utente. Per l'assistenza, rivolgersi a personale di assistenza qualificato.
 20. Gli altoparlanti trattati in questo manuale non sono destinati ad ambienti esterni ad alta umidità. L'umidità può danneggiare il cono dell'altoparlante e la cornice e causare la corrosione dei contatti elettrici e delle parti metalliche. Evitare di esporre gli altoparlanti all'umidità diretta.
 21. Tenere gli altoparlanti lontani dalla luce solare diretta prolungata o intensa. La sospensione del driver si asciugherà prematuramente e le superfici finite potrebbero essere degradate dall'esposizione a lungo termine alla luce ultravioletta (UV) intensa.
 22. Gli altoparlanti possono generare una notevole energia. Quando viene posizionato su una superficie scivolosa come legno lucidato o linoleum, l'altoparlante potrebbe spostarsi a causa della sua emissione di energia acustica.
 23. È necessario prendere precauzioni per assicurare che l'altoparlante non cada da un palco o da un tavolo su cui è posizionato.
 24. Gli altoparlanti sono facilmente in grado di generare livelli di pressione sonora (SPL) sufficienti a causare danni permanenti all'udito agli artisti, alla troupe di produzione e ai membri del pubblico. È necessario prestare attenzione per evitare l'esposizione prolungata a SPL superiore a 90 dB.





Il marchio riportato sul prodotto o sulla documentazione indica che il prodotto non deve essere smaltito con altri rifiuti domestici al termine del ciclo di vita. Per evitare eventuali danni all'ambiente si invita l'utente a separare questo prodotto da altri tipi di rifiuti e di riciclarlo in maniera responsabile per favorire il riutilizzo sostenibile delle risorse materiali. Gli utenti domestici sono invitati a contattare il rivenditore presso il quale è stato acquistato il prodotto o l'ufficio locale preposto per tutte le informazioni relative alla raccolta differenziata e al riciclaggio per questo tipo di prodotto. Gli utenti aziendali sono invitati a contattare il proprio fornitore e verificare i termini e le condizioni del contratto di acquisto. Questo prodotto non deve essere smaltito unitamente ad altri rifiuti commerciali.

DICHIARAZIONE DI CONFORMITÀ

Il prodotto è conforme alle seguenti direttive europee:

EMC 2014/30/EU, LVD 2014/35/EU, RoHS 2011/65/EU and WEEE 2012/19/EU.

GARANZIA LIMITATA

Proel garantisce tutti i materiali, la lavorazione e il corretto funzionamento di questo prodotto per un periodo di due anni dalla data di acquisto originale. I difetti rilevati entro il periodo di garanzia sui prodotti venduti, attribuibili a materiali difettosi o difetti di costruzione, devono essere tempestivamente segnalati al proprio rivenditore o distributore, allegando evidenza scritta della data di acquisto e descrizione del tipo di difetto riscontrato. Sono esclusi dalla garanzia difetti causati da uso improprio o manomissione. Proel constata tramite verifica sui resi la difettosità dichiarata, correlata all'appropriato utilizzo, e l'effettiva validità della garanzia; provvede quindi alla sostituzione o riparazione dei prodotti, declinando tuttavia ogni obbligo di risarcimento per danni diretti o indiretti eventualmente derivanti dalla difettosità.

- L'imballo è stato sottoposto a test di integrità secondo la procedura ISTA 1A. Si raccomanda di controllare il prodotto subito dopo l'apertura dell'imballo.
- Se vengono riscontrati danni informare immediatamente il rivenditore. Conservare quindi l'imballo completo per permetterne l'ispezione.
- Proel declina ogni responsabilità per danni causati dal trasporto.
- Le merci sono vendute "franco nostra sede" e viaggiano sempre a rischio e pericolo del distributore.
- Eventuali avarie e danni dovranno essere contestati al vettore. Ogni reclamo per imballi manomessi dovrà essere inoltrato entro 8 giorni dal ricevimento.

CONDIZIONI D'USO

Proel non si assume alcuna responsabilità per danni causati a terzi a causa di installazione impropria, uso di parti di ricambio non originali, mancanza di manutenzione, manomissione o uso improprio di questo prodotto, incluso il mancato rispetto di standard di sicurezza accettabili e applicabili. Proel raccomanda vivamente di sospendere questo cabinet per altoparlanti tenendo in considerazione tutte le normative nazionali, federali, statali e locali vigenti. Il prodotto deve essere installato da personale qualificato. Si prega di contattare il produttore per ulteriori informazioni.

INTRODUZIONE

Grazie per aver scelto un prodotto PROEL. Dedicate del tempo alla lettura di questo manuale per comprendere tutte le funzionalità del vostro sistema e sfruttare al massimo le sue possibilità operative. Tutti i nostri prodotti sono conformi alle normative CE per un utilizzo continuo in applicazioni professionali.

DESCRIZIONE

LTX6P di PROEL è un sistema di altoparlanti passivo con cabinet in multistrato che offre il rinomato suono PROEL e prestazioni di alto livello in un prodotto affidabile e conveniente. Per la costruzione del cabinet abbiamo utilizzato il legno multistrato, un materiale molto leggero e resistente che rende la movimentazione e l'installazione di questo diffusore molto semplice e veloce. La vernice resistente e antigraffio e le griglie in acciaio con uno strato interno di schiuma forniscono una protezione adeguata per anni di servizio. La staffa **KPTLTP** in dotazione consente di installare il diffusore a parete e soffitto con inclinazione e orientamento variabile, offrendo la possibilità di ottenere una copertura più uniforme.



FUNZIONI

1. INPUT (ingresso SPEAKON)

Ingresso del segnale di potenza proveniente da un amplificatore esterno: questo è il connettore dove inserire il cavo di potenza proveniente dall'amplificatore di potenza o dal mixer amplificato. Il segnale di potenza è filtrato da un crossover passivo interno che divide il segnale di potenza in parte bassa, inviata al woofer, e parte alta, inviata al tweeter/driver. La frequenza di crossover è circa a 3.8KHz. L'ingresso speakon INPUT ha queste connessioni:

PIN1+: segnale di potenza positivo (solitamente filo rosso)

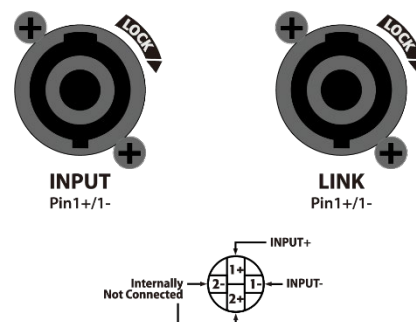
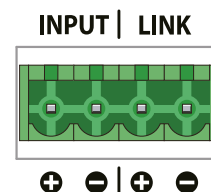
PIN1-: segnale di potenza negativo (solitamente filo nero)

2. LINK (uscita SPEAKON)

Uscita del segnale di potenza da inviare ad un altro diffusore acustico. I connettori INPUT e LINK sono collegati in parallelo tra loro.

3. INPUT | LINK (EUROBLOCK)

Questo è un connettore maschio EUROBLOCK passo 5 mm che accetta connettori femmina EUROBLOCK passo 5 mm a 2 o 4 pin, replica la connessione INPUT e LINK specificata sopra, particolarmente utile per installazione con cablaggi meno visibili.



SCelta DELL' AMPLIFICATORE DI POTENZA

Sono forniti due dati di potenza applicabile: continua e di picco.

Perciò questi dati suggeriscono di usare un qualsiasi amplificatore con una capacità di potenza nell'intervallo tra potenza continua e di picco, ma questa regola è valida solo se l'amplificatore non clippa (distorce) mai.

Per prevenire i danni all'altoparlante causati dal clip, che è la principale causa di guasti, e supponendo che si voglia usare l'altoparlante al massimo delle sue possibilità, è consigliato l'uso di un amplificatore con incorporato il limiter di prevenzione del clip, in questo caso la capacità di potenza dell'amplificatore deve essere nell'intervallo tra potenza continua e di programma dell'altoparlante alla stessa specifica impedenza (tipicamente 4 o 8 ohm):

- Per ottenere il miglior risultato usando 2 (come singolo altoparlante a 8 ohm per canale) o 4 (come doppio altoparlante a 4 ohm per canale) LTX6P collegate stereo, si suggerisce l'uso di un amplificatore da 80-160W.

IMPORTANTE: Il clip avviene qualora il segnale all'uscita di un qualsiasi dispositivo nel sistema (non solo l'amplificatore) raggiunga il suo massimo livello. Un appropriato uso di un sistema audio richiede di essere consapevoli del tipo di segnale audio riprodotto, regolando i livelli di uscita di conseguenza, e agendo in modo che non avvenga nessun clip sul percorso del segnale fra tutti i dispositivi audio coinvolti.

ISTRUZIONI DI MONTAGGIO DELLA STAFFA KPTLTP

FIG.1

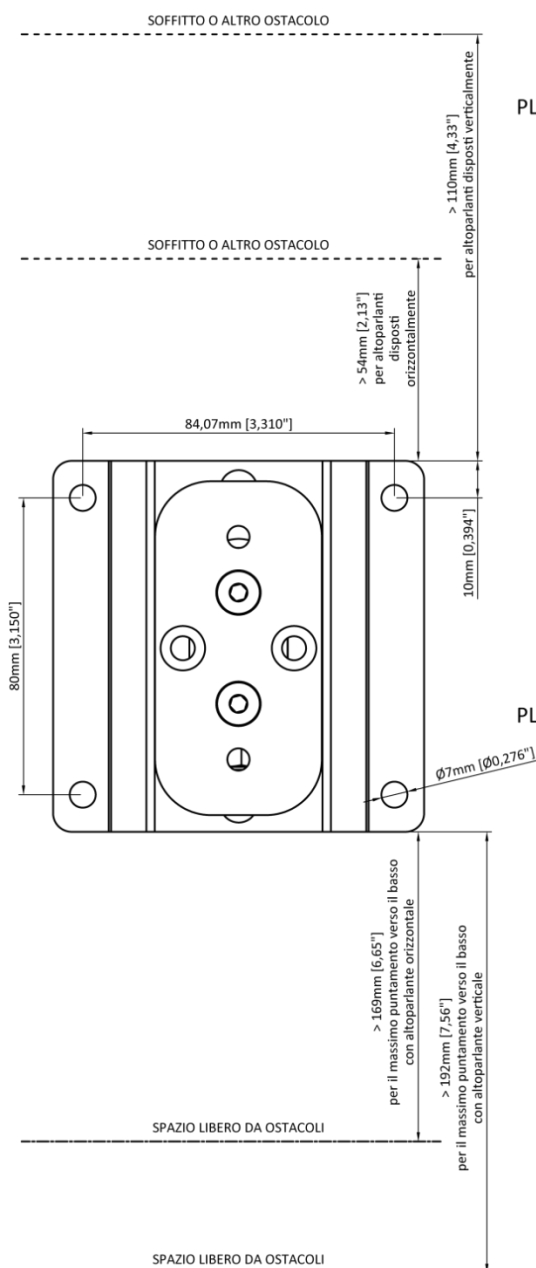


FIG.2

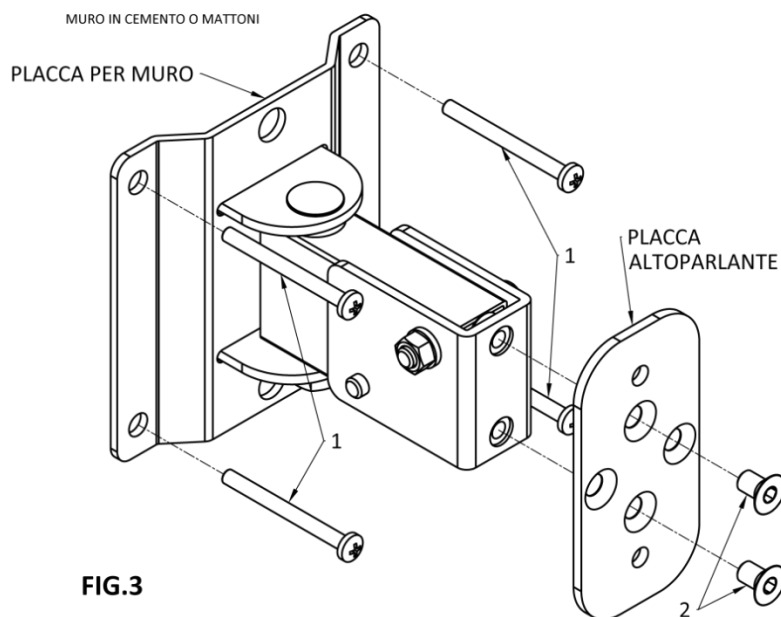
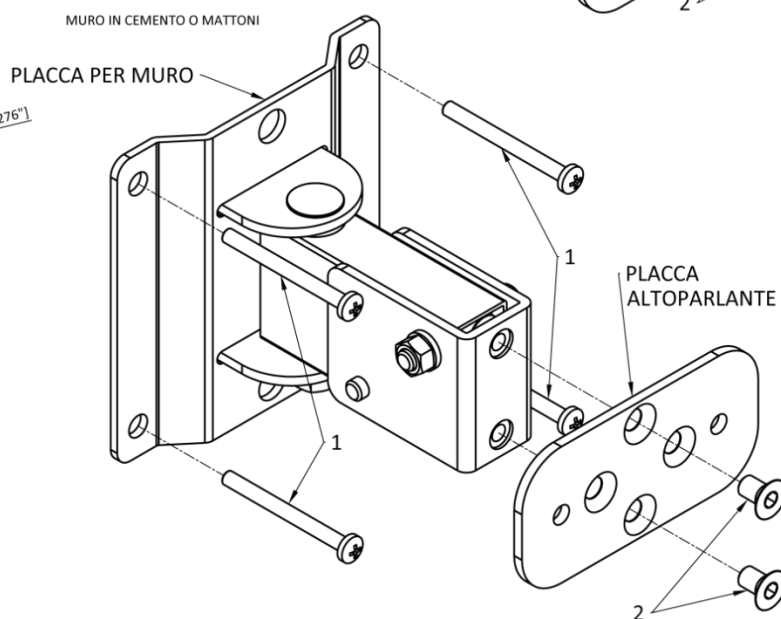


FIG.3



- Montare il KPTLTP sulla parete tenendo conto dello spazio libero necessario attorno ad esso per un corretto puntamento del diffusore come mostrato in FIG.1.
- Fissare la piastra a muro alla parete utilizzando un apposito tassello e vite (non in dotazione) in grado di sostenere dieci volte il peso del diffusore e del suo supporto. Utilizzare sempre il miglior tassello di fissaggio disponibile per pareti in cemento o mattoni: non tentare di montare questo supporto su pareti inadeguate come cartongesso o muro di legno. La responsabilità del corretto montaggio è dell'installatore.
- Successivamente la piastra del diffusore deve essere montata nella posizione corretta per il posizionamento del diffusore. Se il diffusore è montato in verticale la piastra deve essere posizionata come in FIG.2, se il diffusore è montato in orizzontale la piastra deve essere posizionata come in FIG.3.

- Separare la piastra del diffusore dalla piastra a parete rimuovendo viti e dadi come mostrato in FIG.4.
- Montare la piastra del diffusore sul retro del diffusore come mostrato in FIG.5.

FIG.4

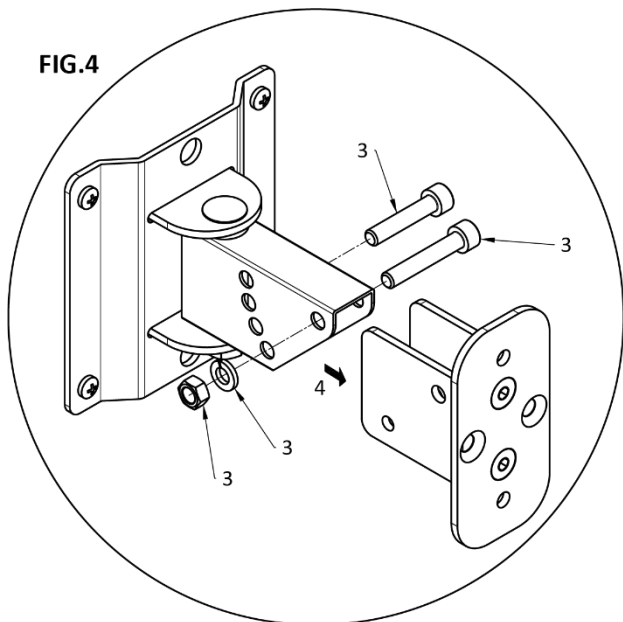
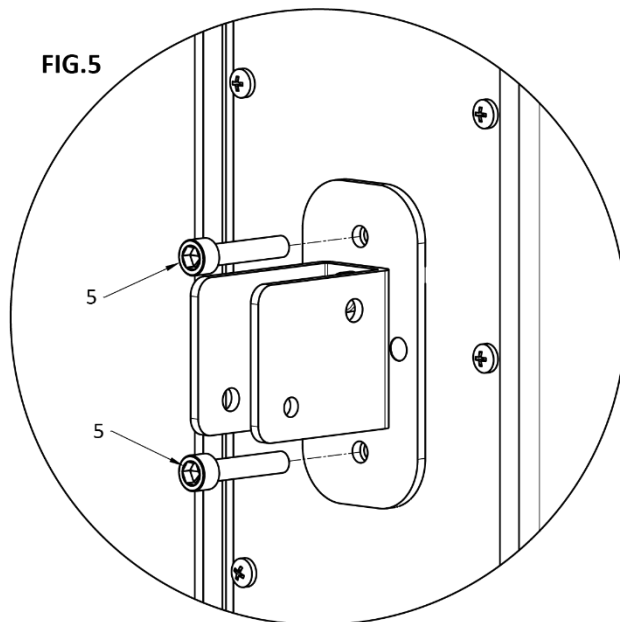


FIG.5



- Riassemblare la piastra del diffusore con la piastra a parete come mostrato in FIG.6.
- Collegare la fune di sicurezza al diffusore utilizzando la vite sul lato come mostrato in FIG.7.

FIG.6

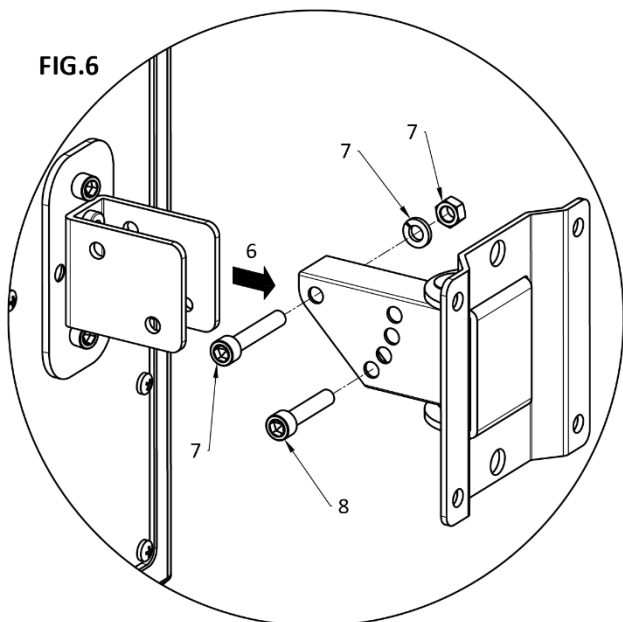
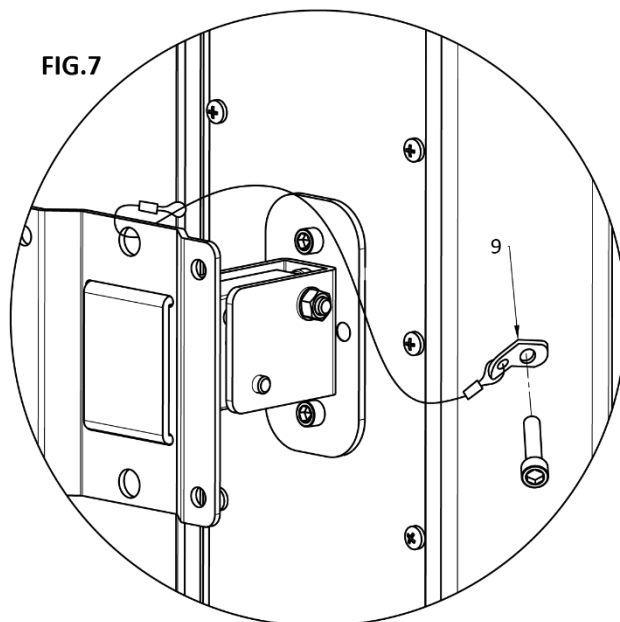


FIG.7



- Le FIG.8 e FIG.9 mostrano le possibili combinazioni per orientare il diffusore sull'asse verticale: la FIG.8 per il diffusore montato verticalmente, la FIG.9 per il diffusore montato orizzontalmente.
- Le FIG.10 e FIG.11 mostrano il possibile orientamento del diffusore sull'asse orizzontale: la FIG.10 per il diffusore montato verticalmente, la FIG.10 per il diffusore montato orizzontalmente.

FIG.8
ANGOLI INCLINAZIONE DISPOSIZIONE VERTICALE:

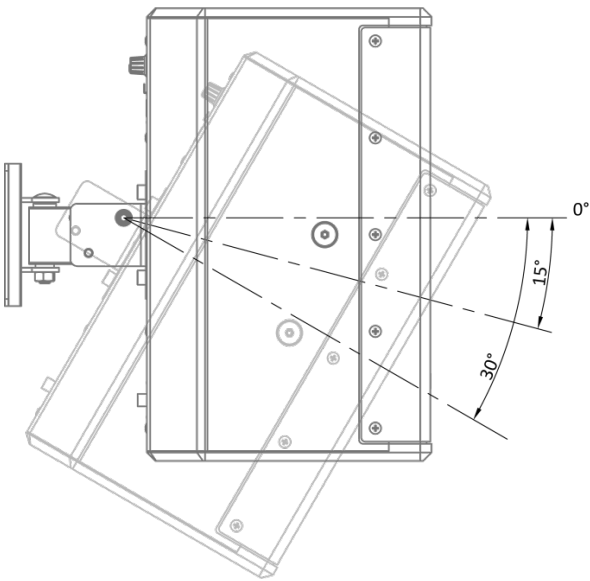


FIG.9
ANGOLI INCLINAZIONE DISPOSIZIONE ORIZZONTALE:

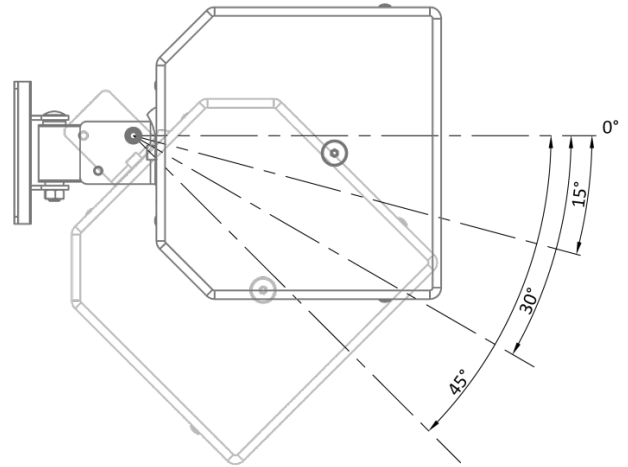


FIG.10
ORIENTAZIONE MASSIMA PER 0°

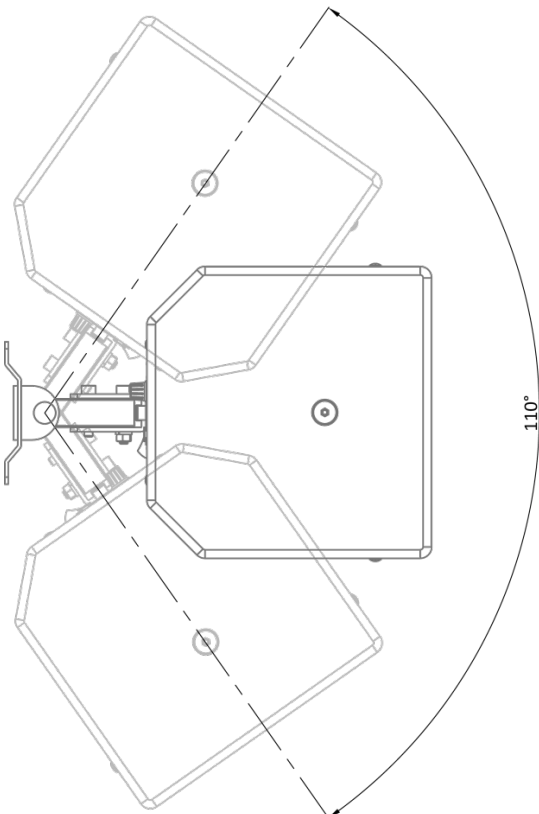
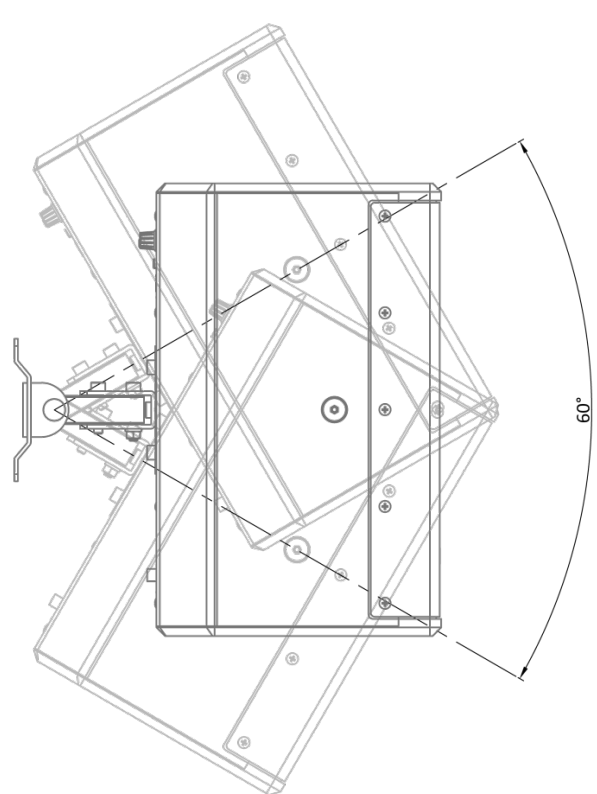
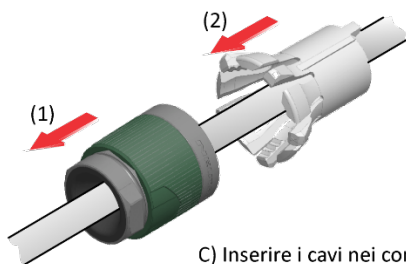


FIG.11
ORIENTAZIONE MASSIMA PER 0°

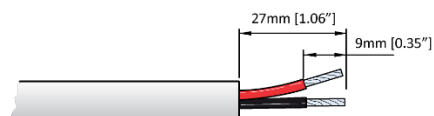


ESEMPIO CONNESSIONI

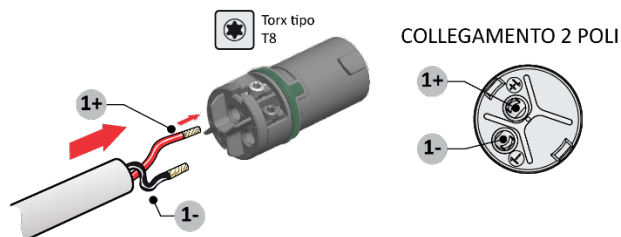
A) Inserire la boccola (1) e il fermacavo (2) nel cavo



B) Preparare le terminazioni come segue

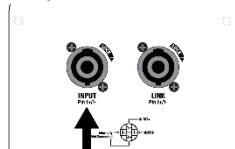


C) Inserire i cavi nei contatti e serrare i fili

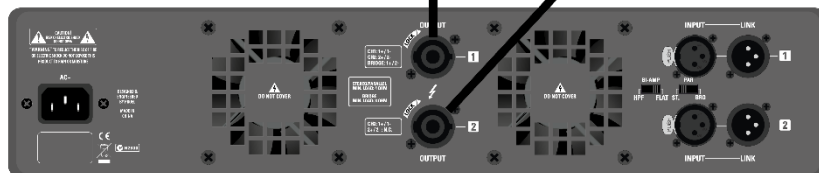
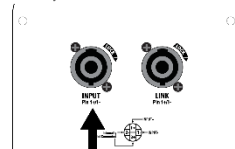


LTX passive sistema STEREO BASE

SINISTRO
singolo altoparlante
impedenza 8 ohm



DESTRO
singolo altoparlante
impedenza 8 ohm

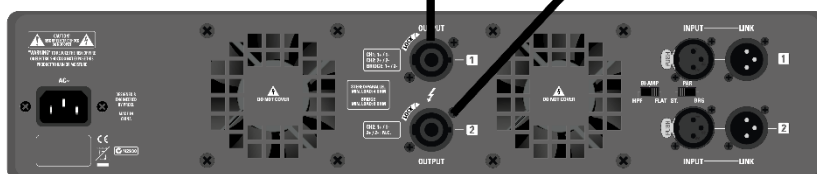
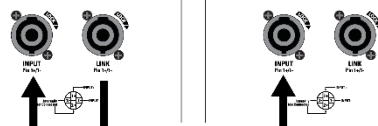


LTX passive sistema STEREO DOPPIO PARALLELO

SINISTRO
altoparlanti in parallelo
impedenza 4 ohm



DESTRO
altoparlanti in parallelo
impedenza 4 ohm





CAVI CONSIGLIATI

Perdite di collegamento (massima lunghezza per perdite inferiori a 0.5dB, tensione o spl)							
carico 8 ohm		carico 4 ohm		Sezione del cavo		Cavi PROEL consigliati	
metri	feet	metri	feet	mm ²	AWG	2 fili nero flessibile	2 fili da installazione
50	164	25	82	4.0	12	HPC624BK	HPC624FRS
30	100	15	50	2.5	14	HPC620BK	HPC620FRS
20	66	10	33	1.5	16	HPC610BK	HPC610FRS

questo è un breve estratto del vasto assortimento di cavi disponibile da PROEL, vi preghiamo di visitare il nostro sito web all'indirizzo www.proel.com

SPECIFICHE TECNICHE

Sistema

Altoparlante per Alti

Altoparlante per Bassi

Copertura Angolare

Potenza Continua

Potenza di Picco

Impedenza

Risposta in Frequenza

SPL (1w /1m)

Connettori

Sistema di Sospensione

Costruzione

Colore

Staffa di Fissaggio

Dimensioni (L x H x P)

Peso

LTX6P

2-vie bass reflex

1" tweeter neodimio

Woofer 6" con bobina da 25.4mm

90° H x 90° V

80 W

160 W

8 ohm

75 Hz - 20 kHz

88 dB

2 x SPEAKON, 1 x 4pin EUROBLOCK 5mm

4 x M8 - sopra/fianco

2 x M6 posteriore

Legno MDF

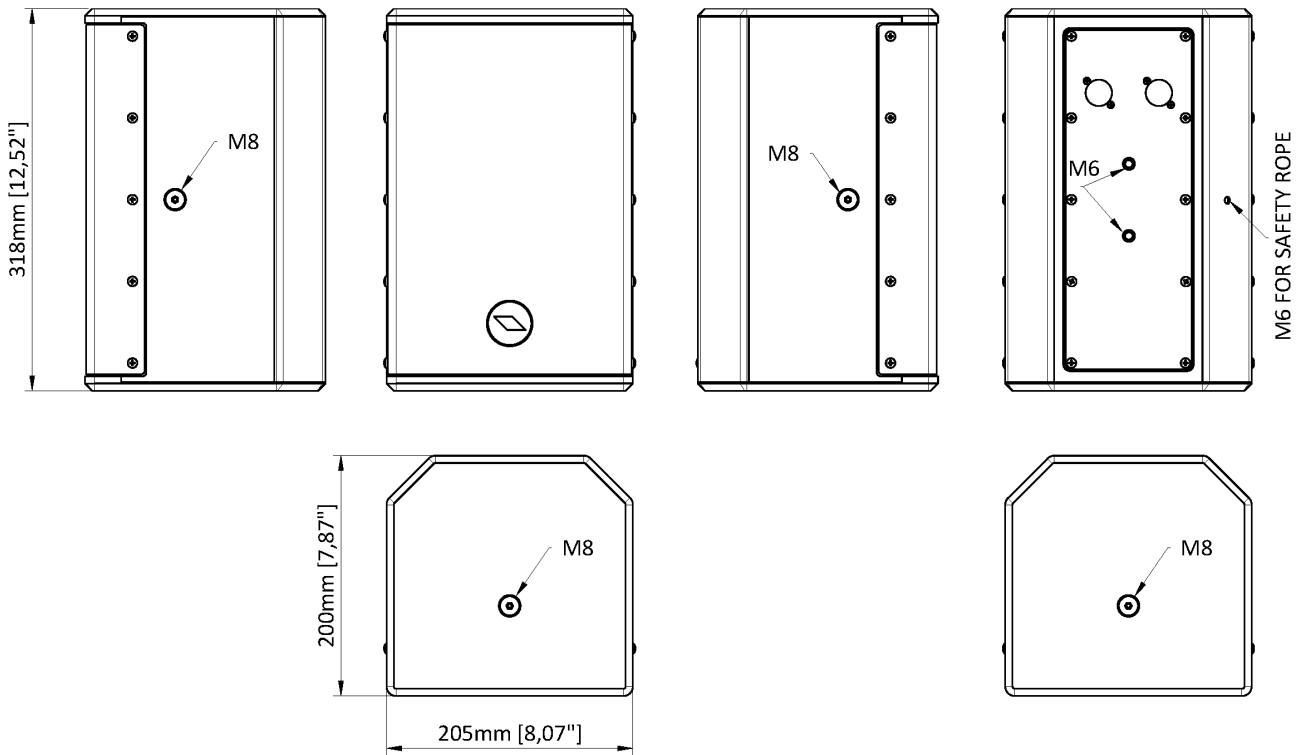
Bianco/Nero

KPTLTP Staffa per muro

205 x 318 x 200 mm

5.1 kg / 11.2 lbs.

MECHANICAL DRAWING / DISEGNO MECCANICO





This page is intentionally left blank.



PROEL S.p.A.

(World Headquarters - Factory)

Via alla Ruenia 37/43

64027 Sant'Omero (Te) – Italy

Tel: +39 0861 81241

Fax: +39 0861 887862

www.proel.com